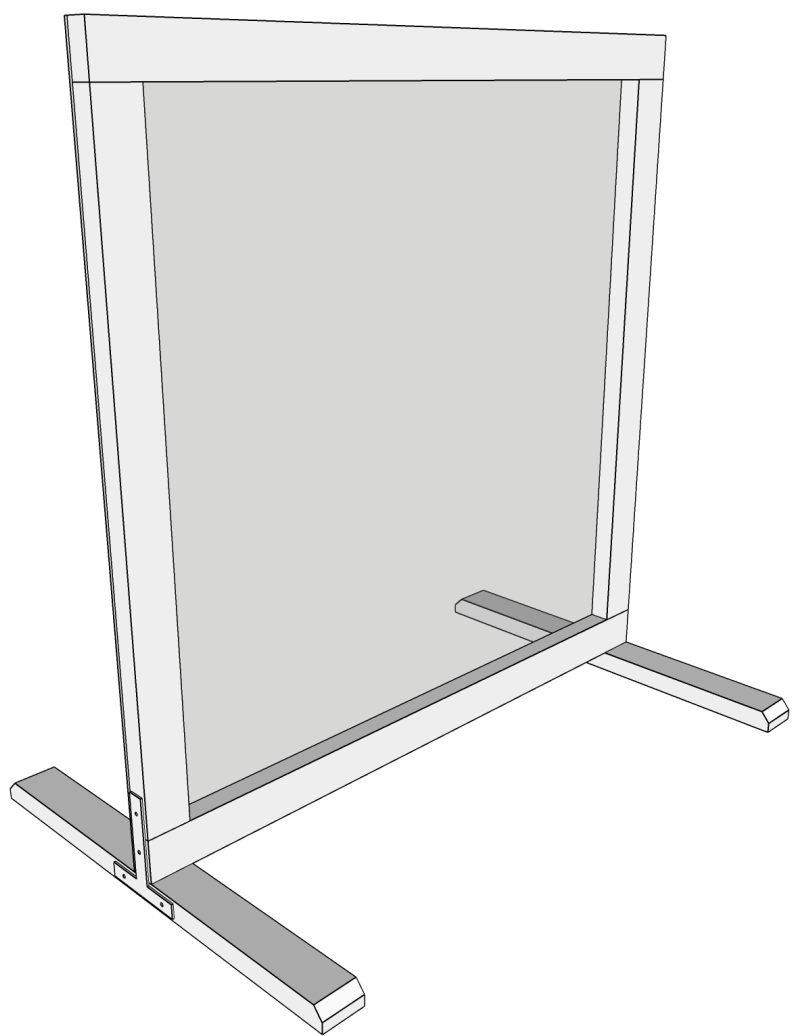




THE MISSION CONTINUES

Small Covid Screen

Intermediate



Dimensions	2x2x16"
Build Time	1 1/2 hrs
No. of Volunteers	1-2
Avg Cost	\$45.00



Tools and Materials

Tools

Saw (miter, circular, hand)

Speed Square

Utility Knife

Drill

Sander

**Corner Clamps
(recommended)**

Sharpie

Metal Yardstick

Tape Measure

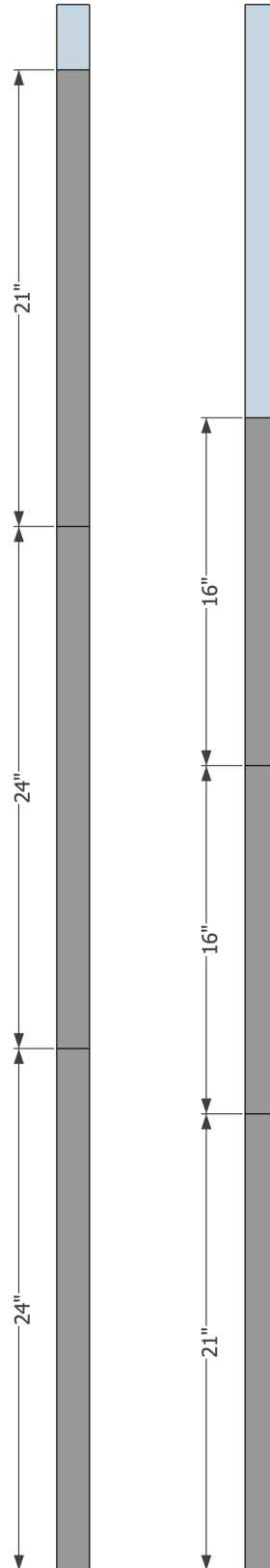
Materials

**These materials may be purchased at Lowe's, a national partner of
The Mission Continues**

Item	Amount	Notes	Link
1x2x6	2		https://bityl.co/4nxV
Acrylic sheet	1	cut in store	https://bityl.co/4nxW
4pk Corner Braces	1		https://bityl.co/4nxa
2pk T Braces	1		https://bityl.co/4nxb
Phillips bit	1	for braces	https://bityl.co/4nxd
t25 bits	1		https://bityl.co/4nxe
1/8" Drill bit	1		https://bityl.co/4nxh



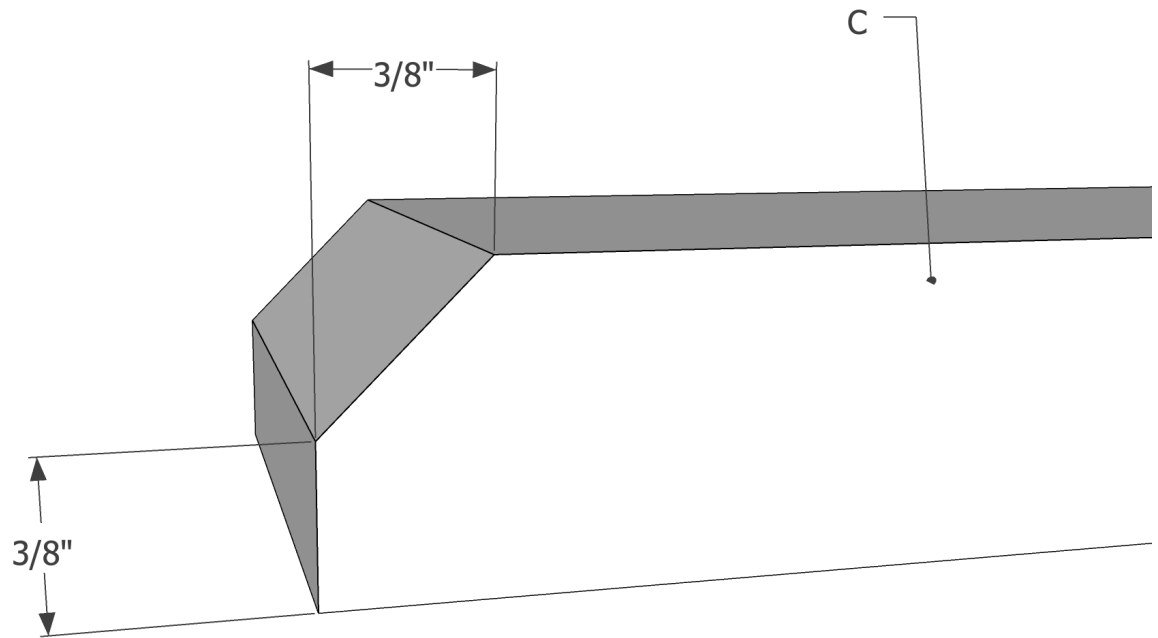
Cut Diagram





Cut Diagram

Measurements to add bevel on feet (C)





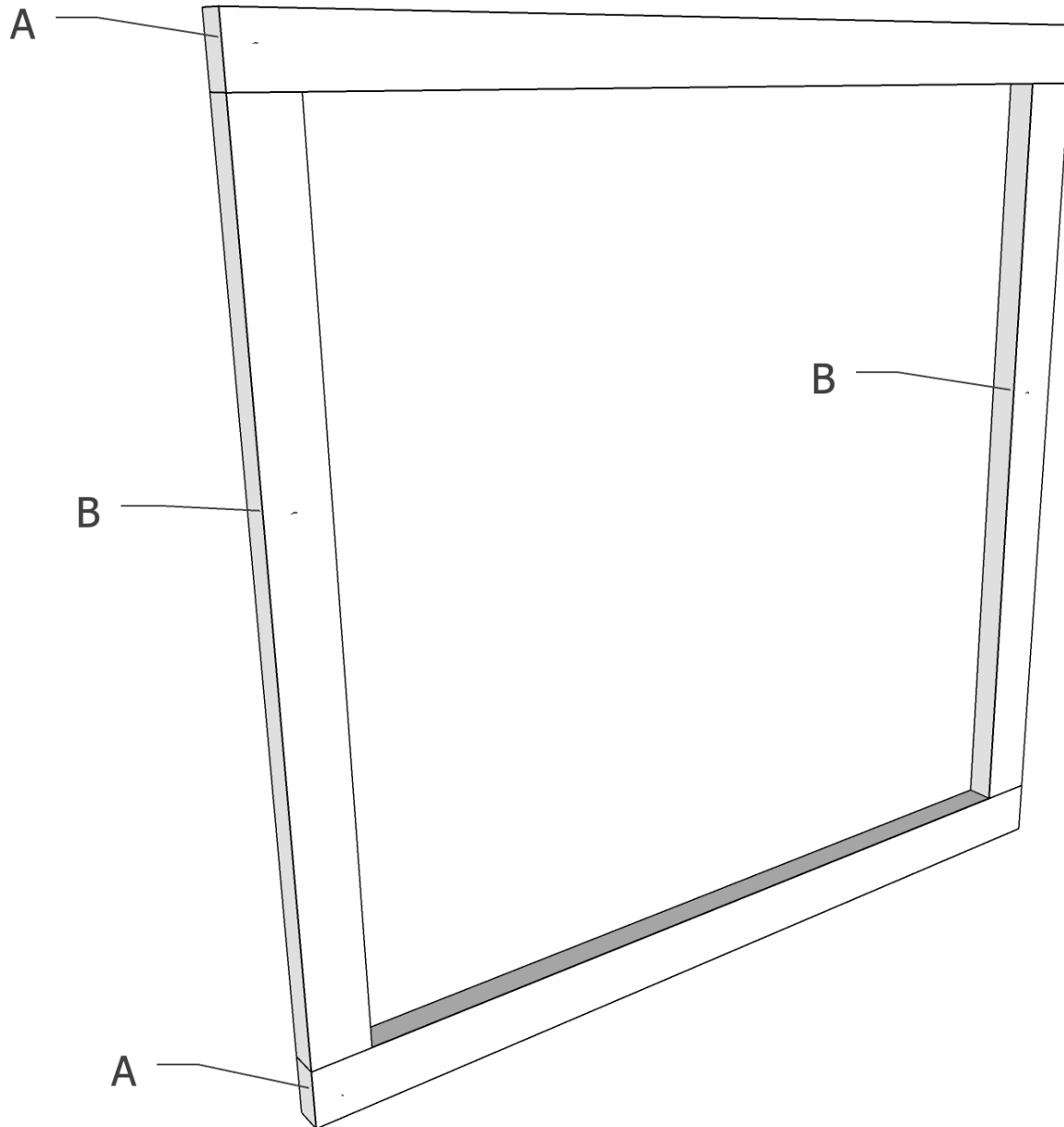
Cut List

Part Name	Measurement	Amount
A	24"	2
B	21"	2
C	16"	2



Step 1: Frame

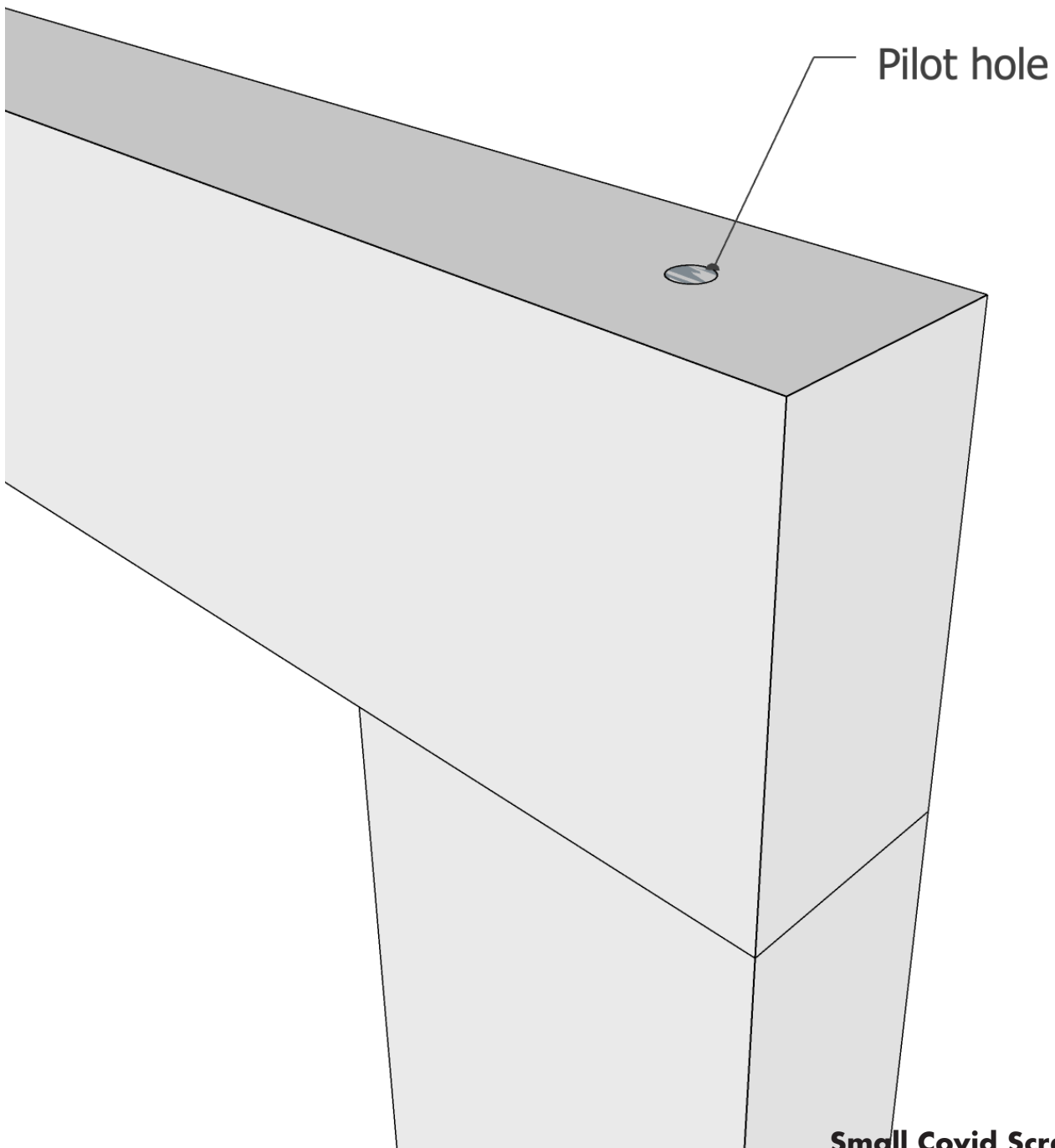
Layout frame and ensure pieces line up correctly





Step 1a: Pilot holes

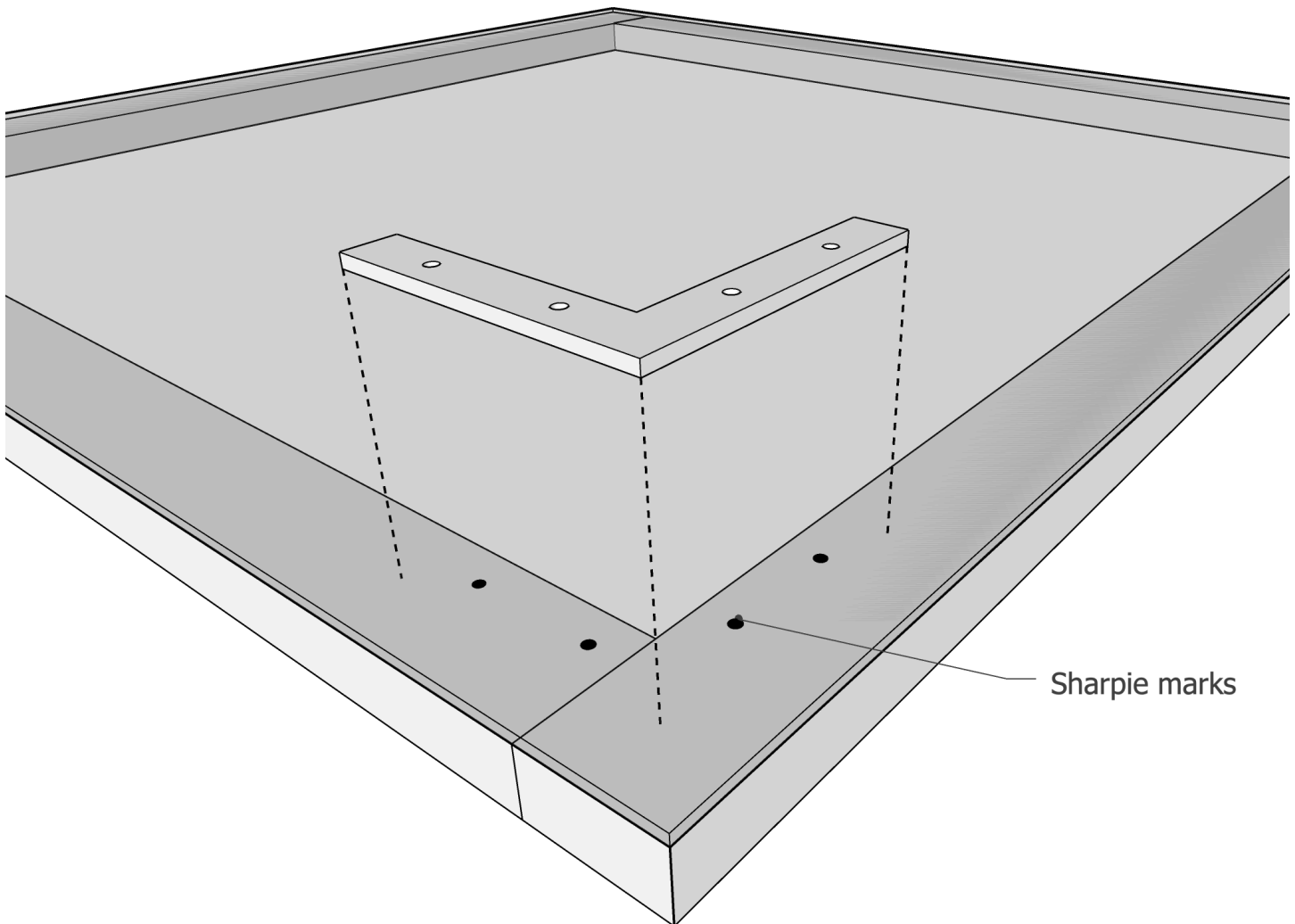
Drill pilot holes into the ends of parts A as shown. If using corner clamps, clamp pieces together before adding 3" screws.





Step 2: Attach Acrylic

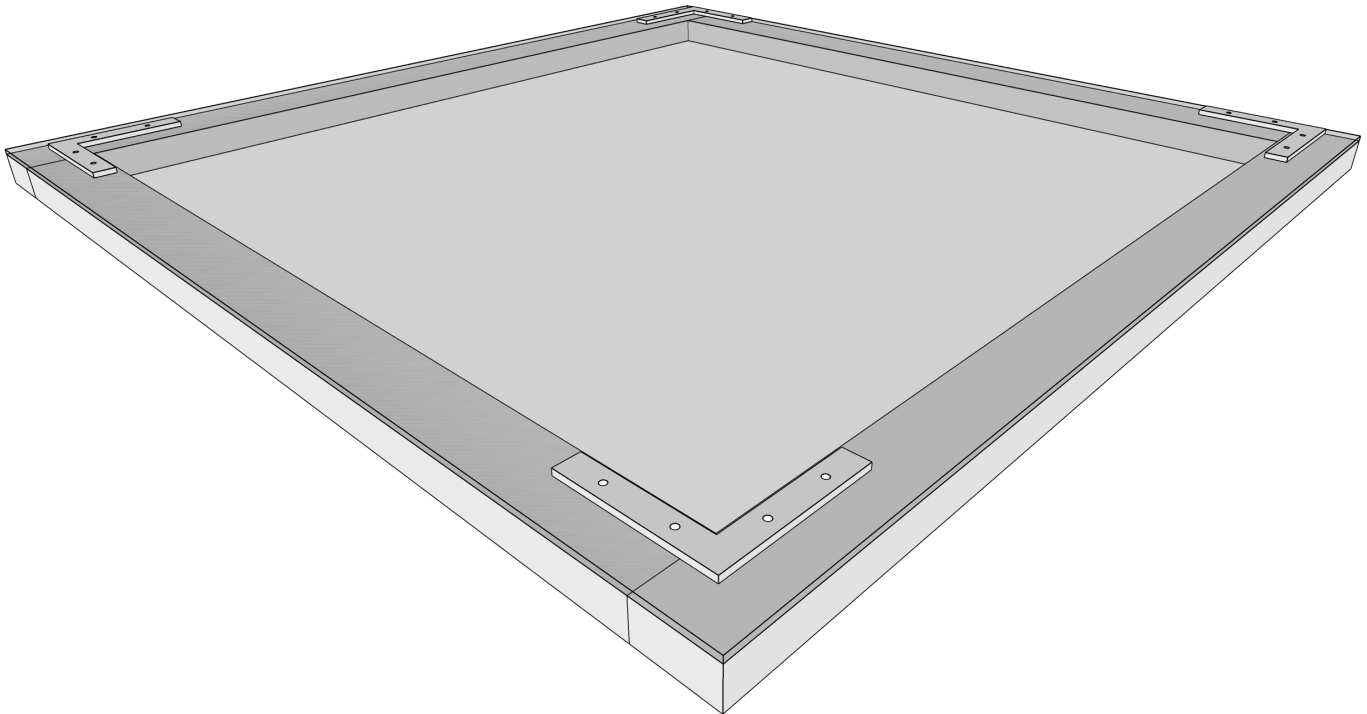
**If you couldn't get the acrylic cut in store do that now.
Lay out the corner braces and mark with a sharpie (x4).
Carefully drill through acrylic taking care not to go into the frame.
*** Do not attempt to screw through acrylic *****





Step 2a: Attach acrylic

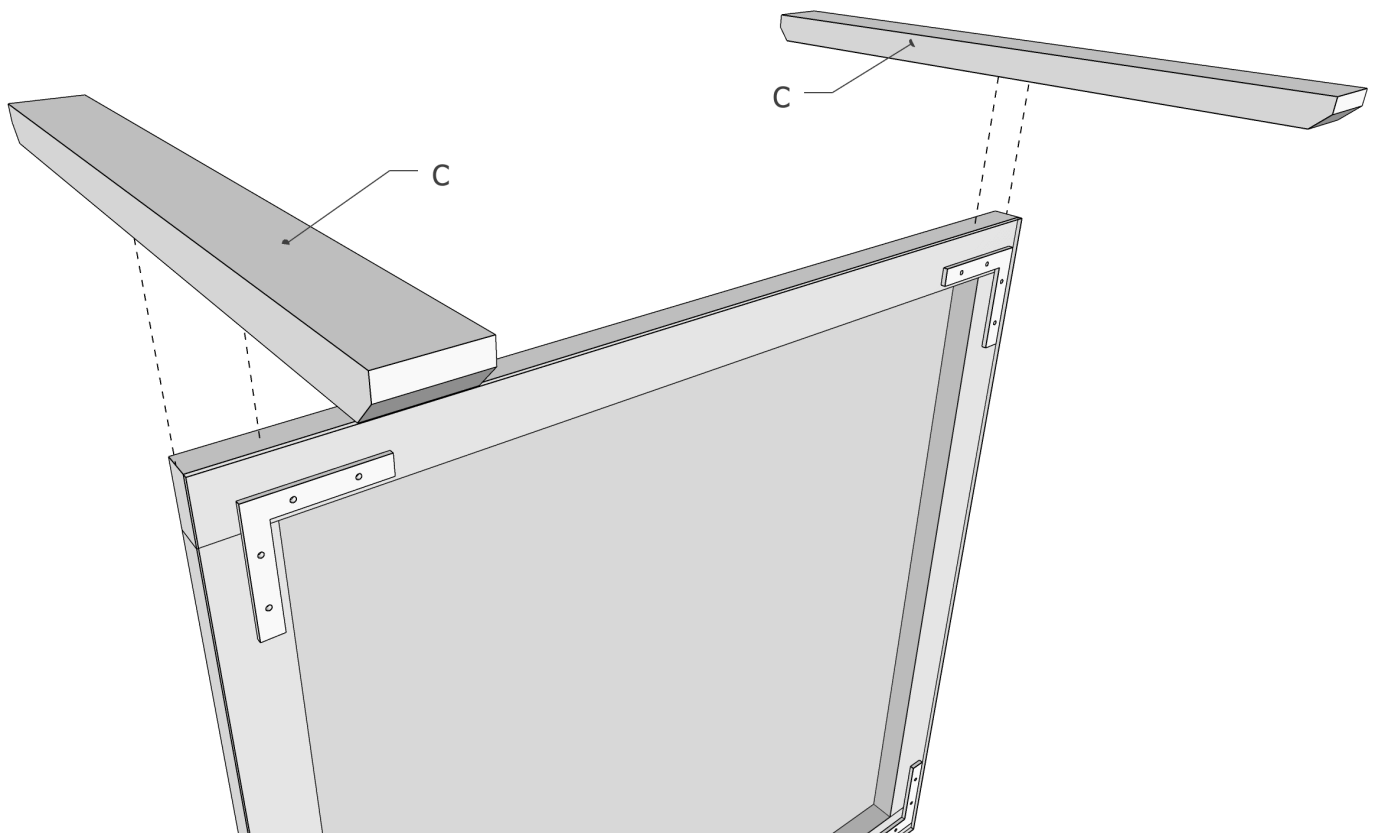
Once all the holes are drilled attach corner braces using the included screws





Step 3: Attach base

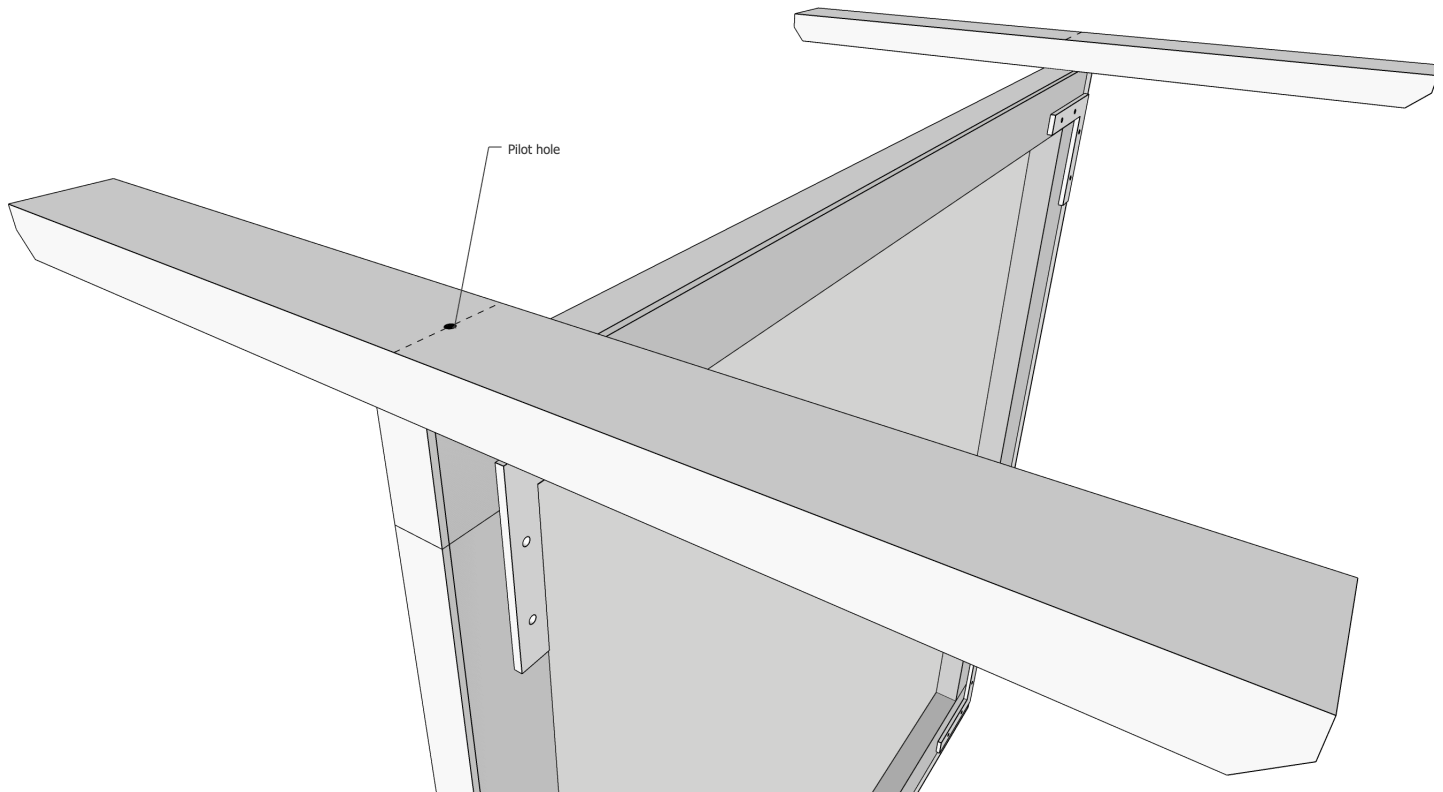
Mark the centers of the base (C) at 8"





Step 3a: Attach base

Drill pilot hole in base (C) and attach to frame using 3'' screws





Step 4: Attach T Brackets

**Attach T brackets as shown.
Use included screws.**

